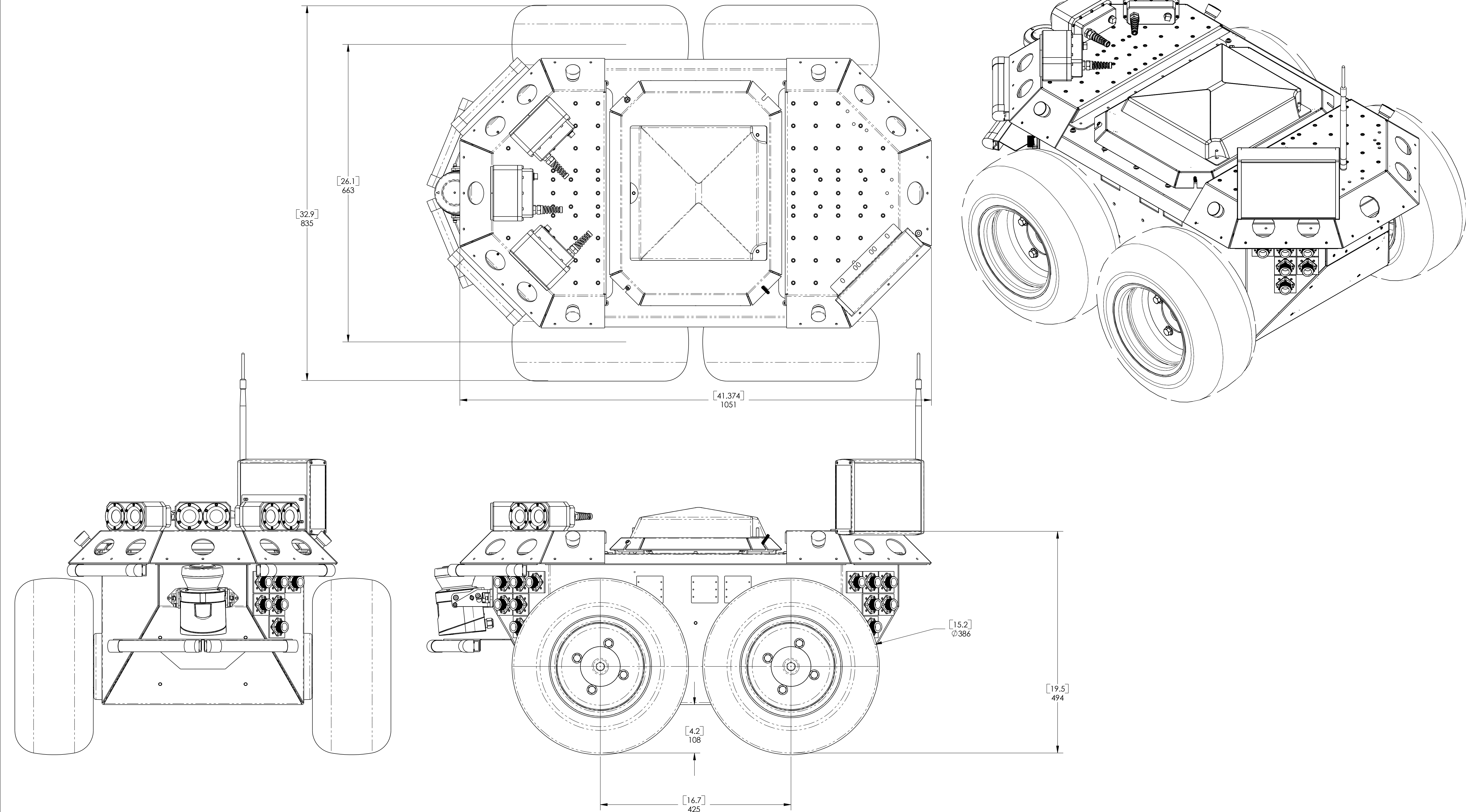


REV	DATE	BY	CHANGE



<small>ALL DIMENSIONS IN INCHES UNLESS OTHERWISE SPECIFIED. TOLERANCES ARE: XXX ± .005 XX.X ± .010 ANGLES ± 1%</small>	<b>MOBILEROBOTS</b>	PART NAME	APPROVED BY	SHEET 1 OF 1	D SIZE
	AMHERST, NH	Seekur Jr			
		MACHINE	SCALE	NONE	R & D PART NUMBER
		Seekur Jr	DRAWN BY DATE	SEA 04-02-2009	XXXXXXXX
<small>THIS DRAWING IS THE PROPERTY OF MOBILEROBOTS INC. AND IS NOT TO BE USED OR COPIED WITHOUT WRITTEN CONSENT OF MOBILEROBOTS INC. © 2009 MOBILEROBOTS INC.</small>					